

Blooming

Down Series

Product Features

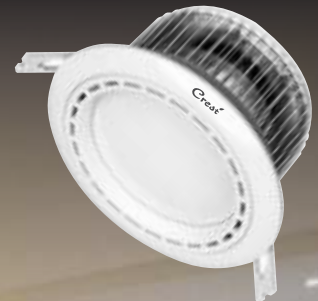
1. Energy Saving Technology.
2. Low heat emission (low temperature) reduces the cost of air conditioning.
3. Highly reliable constant current driver guarantees long life span of the lamp beads.
4. LED lights offer up to 85% saving in electricity cost compared to energy saver / fluorescent lights and are designed to last for longer period.
5. LED Down lights are compact, high efficiency and alternatives to conventional lighting & has excellent lighting performance.
6. Eco-Friendly, mercury free, lead free.
7. Dimmable model optional.
8. Available In: 3 / 5 / 7 / 10 / 12 / 15 / 18 / 20 / 24 / 25 / 36 / 50 Watt.
9. 2 year warranty.
10. OEM service available.

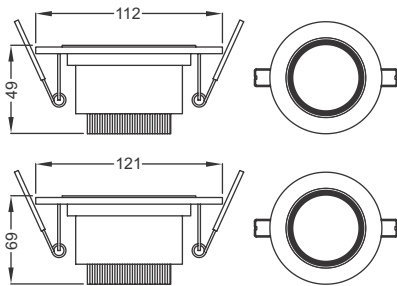
Applications

Recessed Lighting, Hall Lighting, Display Lighting, Super Markets, Library, Museums, Kitchen Lighting, Office Lighting, Ceiling Lighting Etc.

Notes

1. Operating temperature range between -20°C ~ +40°C
2. Use in dry indoor locations.
3. Don't use it with dimmers.





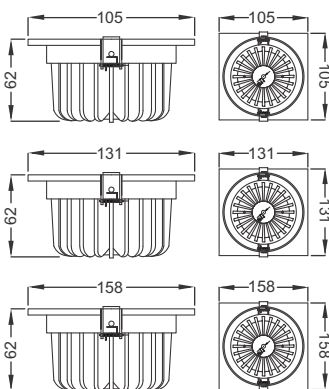
Specifications

| | | | |
|--------------------------------------|---------------------|---------------------|----------|
| Order Code | CR-8011 | CR-8012 | CR-8013 |
| Model | CR-C-DL | | |
| Power | 3W | 5W | 10W |
| LED Description | 6x0.5W | 10x0.5W | 20x0.5W |
| LED | SMD | | |
| LED Source | EDISON | | |
| Luminous Flux | 94 LM/W - (WW) | 112 LM/W - (CW) | |
| Lumen Maintenance | L80 | | |
| Color Temperature Available (± 200K) | 2670~3050K | 5650~7000K | |
| Beam Angle | 120° | | |
| Input Voltage | 90~265VAC, 50/60 Hz | | |
| CRI | Ra≥80 | | |
| Working Temperature | -20°C ~ +40°C | | |
| Humidity | 10%~90% | | |
| Power Factor | / | ≥0.9 | ≥0.9 |
| LED Driver | / | Isolated (THD ≤20%) | |
| Material | Die Cast Aluminium | | |
| Size (mm) | Ø112xH49 | | Ø121xH69 |
| Weight (approx) | 190 gm | | 280 gm |
| Life | @Tj = 85 °C | 50,000 hrs | |



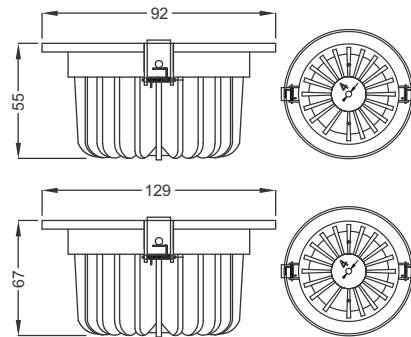
Specifications

| | | | |
|--------------------------------------|---------------------|-----------------|----------|
| Order Code | CR-8014 | CR-8015 | CR-8016 |
| Model | CR-O-DL | | |
| Power | 5W | 10W | 15W |
| LED Description | 10x0.5W | 20x0.5W | 30x0.5W |
| LED | SMD | | |
| LED Source | EDISON | | |
| Luminous Flux | 94 LM/W - (WW) | 112 LM/W - (CW) | |
| Lumen Maintenance | L80 | | |
| Color Temperature Available (± 200K) | 2670~3050K | 5650~7000K | |
| Beam Angle | 120° | | |
| Input Voltage | 90~265VAC, 50/60 Hz | | |
| CRI | Ra≥80 | | |
| Working Temperature | -20°C ~ +40°C | | |
| Humidity | 10%~90% | | |
| Power Factor | ≥0.9 | | |
| LED Driver | Isolated (THD ≤20%) | | |
| Material | Die Cast Aluminium | | |
| Size (mm) | φ105xH62 | φ131xH62 | φ158xH62 |
| Weight (approx) | 250 gm | 400 gm | 500 gm |
| Life | @Tj = 85 °C | 50,000 hrs | |



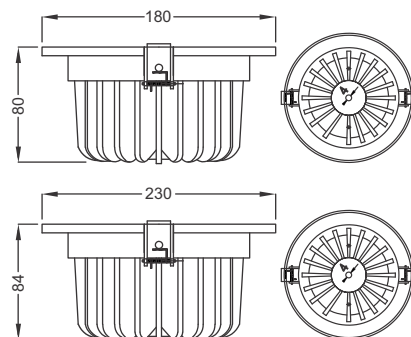
Specifications

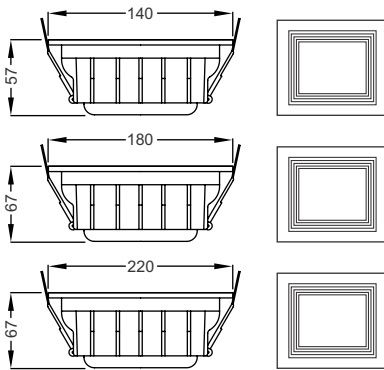
| | | |
|--------------------------------------|---------------------------|-----------------|
| Order Code | CR-8017 | CR-8018 |
| Model | CR-JYX-DL | |
| Power | 5W | 10W |
| LED Description | 10x0.5W | 20x0.5W |
| LED | SMD | |
| LED Source | EDISON | |
| Luminous Flux | 94 LM/W - (WW) | 112 LM/W - (CW) |
| Lumen Maintenance | L80 | |
| Color Temperature Available (± 200K) | 2670~3050K | 5650~7000K |
| Beam Angle | 120° | |
| Input Voltage | 90~265VAC, 50/60 Hz | |
| CRI | Ra≥80 | |
| Working Temperature | -20°C ~ +40°C | |
| Humidity | 10%~90% | |
| Power Factor | ≥0.9 | |
| LED Driver | Isolated (THD ≤20%) | |
| Material | Die Cast Aluminium | |
| Size (mm) | Ø92xH55 | Ø129xH67 |
| Weight (approx) | 200 gm | 338 gm |
| Life | @Tj = 85 °C 50,000 hrs | |



Specifications

| | | |
|--------------------------------------|---------------------------|-----------------|
| Order Code | CR-8019 | CR-8020 |
| Model | CR-JYX-DL | |
| Power | 18W | 25W |
| LED Description | 36x0.5W | 50x0.5W |
| LED | SMD | |
| LED Source | EDISON | |
| Luminous Flux | 94 LM/W - (WW) | 112 LM/W - (CW) |
| Lumen Maintenance | L80 | |
| Color Temperature Available (± 200K) | 2670~3050K | 5650~7000K |
| Beam Angle | 120° | |
| Input Voltage | 90~265VAC, 50/60 Hz | |
| CRI | Ra≥80 | |
| Working Temperature | -20°C ~ +40°C | |
| Humidity | 10%~90% | |
| Power Factor | ≥0.9 | |
| LED Driver | Isolated (THD ≤20%) | |
| Material | Die Cast Aluminium | |
| Size (mm) | Ø180xH80 | Ø230xH84 |
| Weight (approx) | 555 gm | 750 gm |
| Life | @Tj = 85 °C 50,000 hrs | |





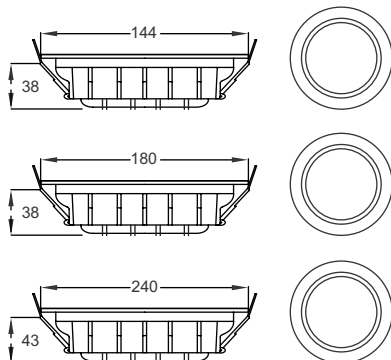
Specifications

| | | | |
|--------------------------------------|---------------------------|-----------------|---------------|
| Order Code | CR-8021 | CR-8022 | CR-8023 |
| Model | CR-WXS-DL | | |
| Power | 10W | 15W | 30W |
| LED Description | 20 Pcs | 30 Pcs | 60 Pcs |
| LED | SMD | | |
| LED Source | EDISON | | |
| Luminous Flux | 94 LM/W - (WW) | 112 LM/W - (CW) | |
| Lumen Maintenance | L80 | | |
| Color Temperature Available (± 200K) | 2670~3050K | 5650~7000K | |
| Beam Angle | 120° | | |
| Input Voltage | 90~265VAC, 50/60 Hz | | |
| CRI | Ra≥80 | | |
| Working Temperature | -20°C ~ +40°C | | |
| Humidity | 10%~90% | | |
| Power Factor | ≥0.9 | | |
| LED Driver | Isolated (THD ≤20%) | | |
| Material | Die Cast Aluminium | | |
| Size (mm) | L140xW140x57H | L180xW180x67H | L220xW220x67H |
| Weight (approx) | 450 gm | 550 gm | 700 gm |
| Life | @Tj = 85 °C 50,000 hrs | | |



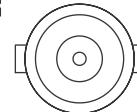
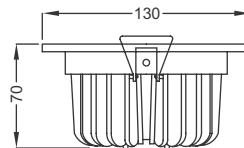
Specifications

| | | | | |
|--------------------------------------|---------------------------|-----------------|----------|---------|
| Order Code | CR-8024 | CR-8025 | CR-8026 | CR-8027 |
| Model | CR-WXR-DL | | | |
| Power | 10W | 15W | 20W | 30W |
| LED Description | 20 Pcs | 30 Pcs | 40 Pcs | 60 Pcs |
| LED | SMD | | | |
| LED Source | EDISON | | | |
| Luminous Flux | 94 LM/W - (WW) | 112 LM/W - (CW) | | |
| Lumen Maintenance | L80 | | | |
| Color temperature Available (± 200K) | 2670~3050K | 5650~7000K | | |
| Beam Angle | 120° | | | |
| Input Voltage | 90~265VAC, 50/60 Hz | | | |
| CRI | Ra≥80 | | | |
| Working Temperature | -20°C ~ +40°C | | | |
| Humidity | 10%~90% | | | |
| Power Factor | ≥0.9 | | | |
| LED Driver | Isolated (THD ≤20%) | | | |
| Material | Die Cast Aluminium | | | |
| Size (mm) | Ø144x38H | Ø180x38H | Ø240x43H | |
| Weight (approx) | 400 gm | 500 gm | 600 gm | |
| Life | @Tj = 85 °C 50,000 hrs | | | |



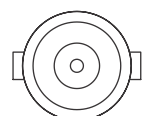
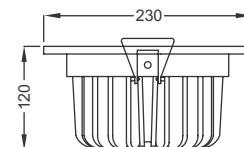
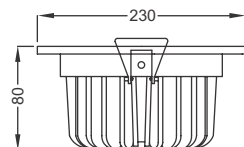
Specifications

| | | |
|--------------------------------------|------------------------------|-------------------------------|
| Order Code | CR-8028 | CR-8029 |
| Model | CR-EXD-DL | |
| Power | 10W | 15W |
| LED Description | 1x10W | 1x15W |
| LED | COB | |
| LED Source | CREE | |
| Luminous Flux | 80 LM/W-(WW) 85 LM/W-(CW) | 109 LM/W-(WW) 117 LM/W-(CW) |
| LED Source | EDISON | |
| Luminous Flux | 99 LM/W-(WW) 105 LM/W-(CW) | 88 LM/W-(WW) 100 LM/W-(CW) |
| Lumen Maintenance | L80 | |
| Color Temperature Available (± 200K) | 2700~3300K | 5500~6500K |
| Beam Angle | 80° | |
| Input Voltage | 90~265VAC, 50/60 Hz | |
| CRI | Ra≥80 | |
| Working Temperature | -20°C ~ +40°C | |
| Humidity | 10%~90% | |
| Power Factor | ≥0.9 | |
| LED Driver | Isolated (THD ≤20%) | |
| Material | Die Cast Aluminium | |
| Size (mm) | Ø130xH70 | |
| Weight (approx) | 600 gm | 650 gm |
| Life | 50,000 hrs | |



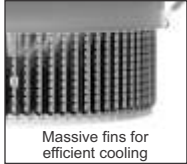
Specifications

| | | |
|--------------------------------------|-------------------------------|-------------------------------|
| Order Code | CR-8030 | CR-8031 |
| Model | CR-EXD-DL | |
| Power | 25W | 50W |
| LED Description | 1x25W | 1x50W |
| LED | COB | |
| LED Source | CREE | |
| Luminous Flux | 107 LM/W-(WW) 113 LM/W-(CW) | 97 LM/W-(WW) 105 LM/W-(CW) |
| LED Source | EDISON | |
| Luminous Flux | 93 LM/W-(WW) 112 LM/W-(CW) | 111 LM/W-(WW) 120 LM/W-(CW) |
| Lumen Maintenance | L80 | |
| Color Temperature Available (± 200K) | 2700~3300K | 5500~6500K |
| Beam Angle | 90° | 75° |
| Input Voltage | 90~265VAC, 50/60 Hz | |
| CRI | Ra≥80 | |
| Working Temperature | -20°C ~ +40°C | |
| Humidity | 10%~90% | |
| Power Factor | ≥0.9 | |
| LED Driver | Isolated (THD ≤20%) | |
| Material | Die Cast Aluminium | |
| Size (mm) | Ø230xH80 | Ø230xH120 |
| Weight (approx) | 1.80 kg | 2 kg |
| Life | 50,000 hrs | |





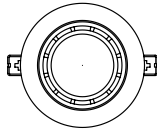
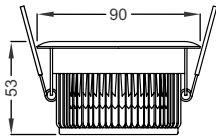
Back cover with multiple air convection channel to ensure air flow for convection



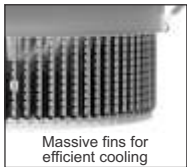
Massive fins for efficient cooling



kit show



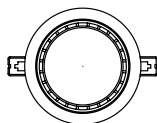
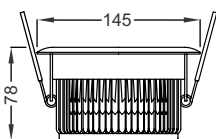
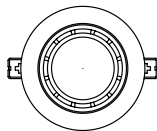
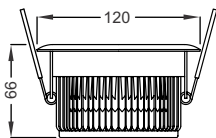
Back cover with multiple air convection channel to ensure air flow for convection



Massive fins for efficient cooling



kit show



Specifications

| | | |
|--|----------------------------|-----------------|
| Order Code | CR-8032 | |
| Model | CR-TD3-DL | |
| Power | 3W | |
| LED Description | 6x0.5W | |
| LED | SMD | |
| LED Source | EDISON | |
| Luminous Flux | 94 LM/W - (WW) | 112 LM/W - (CW) |
| Lumen Maintenance | L80 | |
| Color Temperature Available ($\pm 200K$) | 2670~3050K | 5650~7000K |
| Beam Angle | 120° | |
| Input Voltage | 90~265VAC, 50/60 Hz | |
| CRI | Ra \geq 80 | |
| Working Temperature | -20°C ~ +40°C | |
| Humidity | 10%~90% | |
| Material | Fin Shell (6063) Aluminium | |
| Size (mm) | \varnothing 90xH53 | |
| Weight (approx) | 185 gm | |
| Life | @Tj = 85 °C | 50,000 hrs |



Specifications

| | | |
|--|----------------------------|-----------------------|
| Order Code | CR-8033 | CR-8034 |
| Model | CR-TD7-DL | CR-TD15-DL |
| Power | 7W | 15W |
| LED Description | 14x0.5W | 30x0.5W |
| LED | SMD | |
| LED Source | EDISON | |
| Luminous Flux | 94 LM/W - (WW) | 112 LM/W - (CW) |
| Lumen Maintenance | L80 | |
| Color temperature Available ($\pm 200K$) | 2670~3050K | 5650~7000K |
| Beam Angle | 120° | |
| Input Voltage | 90~265VAC, 50/60 Hz | |
| CRI | Ra \geq 80 | |
| Working Temperature | -20°C ~ +40°C | |
| Humidity | 10%~90% | |
| Power Factor | \geq 0.9 | |
| LED Driver | Isolated (THD \leq 20%) | |
| Material | Fin Shell (6063) Aluminium | |
| Size (mm) | \varnothing 120xH66 | \varnothing 145xH78 |
| Weight (approx) | 280 gm | 550 gm |
| Life | @Tj = 85 °C | 50,000 hrs |

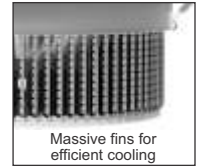


Specifications

| | | |
|--------------------------------------|----------------------------|-----------------|
| Order Code | CR-8035 | CR-8036 |
| Model | CR-TD24-DL | CR-TD36-DL |
| Power | 24W | 36W |
| LED Description | 48x0.5W | 72x0.5W |
| LED | SMD | |
| LED Source | EDISON | |
| Luminous Flux | 94 LM/W - (WW) | 112 LM/W - (CW) |
| Lumen Maintenance | L80 | |
| Color Temperature Available (± 200K) | 2670~3050K | 5650~7000K |
| Beam Angle | 120° | |
| Input Voltage | 90~265VAC, 50/60 Hz | |
| CRI | Ra>80 | |
| Working Temperature | -20°C ~ +40°C | |
| Humidity | 10%~90% | |
| Power Factor | >0.9 | |
| LED Driver | Isolated (THD <20%) | |
| Material | Fin Shell (6063) Aluminium | |
| Size (mm) | Ø195xH105 | Ø240xH106 |
| Weight (approx) | 800 gm | 1.5 kg |
| Life | @Tj = 85 °C 50,000 hrs | |



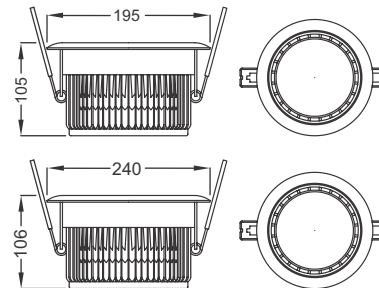
Back cover with multiple air convection channel to ensure air flow for convection



Massive fins for efficient cooling

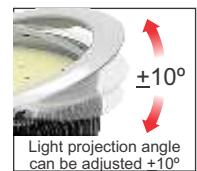


kit show



Specifications

| | | | | |
|--------------------------------------|------------------------|--------------|---------------|---------------|
| Order Code | CR-8037 | CR-8038 | CR-8039 | CR-8040 |
| Model | CR-HOC-DL | | CR-HOS-DL | |
| Power | 20W | 30W | 25W | 35W |
| LED Description | 2x10W | 2x15W | 50x0.5W | 70x0.5W |
| LED | COB | | SMD | |
| LED Source | CREE | | EDISON | |
| Luminous Flux | 80 LM/W (WW) | 85 LM/W (CW) | 109 LM/W (WW) | 117 LM/W (CW) |
| Lumen Maintenance | L80 | | L80 | |
| Color Temperature Available (± 200K) | 2700~3300K | | 5500~6500K | |
| Beam Angle | 120° | | | |
| Input Voltage | 90~265VAC, 50/60 Hz | | | |
| CRI | Ra≥80 | | | |
| Working Temperature | -20°C ~ +40°C | | | |
| Humidity | 10%~90% | | | |
| Power Factor | ≥0.9 | | | |
| LED Driver | Isolated (THD ≤20%) | | | |
| Material | Die Cast Aluminium | | | |
| Size (mm) | L235xW147xH90 | | L230xW145xH65 | |
| Weight (approx) | 2.9 kg | | 2.5 kg | |
| Life | @Tj = 85 °C 50,000 hrs | | | |



Light projection angle can be adjusted ±10°



CR-HOC-DL

CR-HOS-DL

