

Product Features

1. Energy Saving Technology.
2. LED Panel lights have unique structure for excellent heat dissipation.
3. With Aluminum alloy +PMMA. Latest design with Back / Side lit panel for uniform lighting effect.
4. Low heat emission (low temperature) reduces the cost of air conditioning.
5. Highly reliable constant current driver guarantees long life span of the lamp beads.
6. LED lights offer up to 85% saving in electricity cost compared to energy saver / halogen lamp / Fluorescent lamp and are designed to last for longer period.
7. Eco-Friendly, mercury free, lead free.
8. Dimmable model optional.
9. Available In: 6 / 12 / 15 / 40 / 48 Watt.
10. 2 year warranty.
11. OEM service available.

Applications


LED Panel lights are widely used for indoor applications like office lighting, meeting rooms, it is best replacement of conventional grill lamp or fluorescent Lighting fixtures Etc.

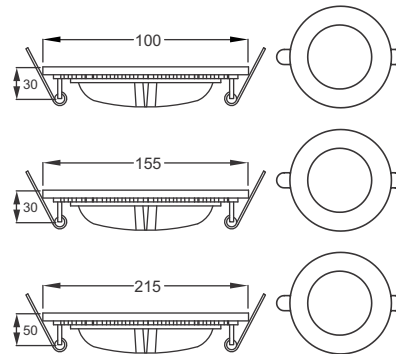
Notes

1. Operating temperature range between -20°C ~ +40°C
2. Use in dry indoor locations.
3. Don't use it with dimmers.




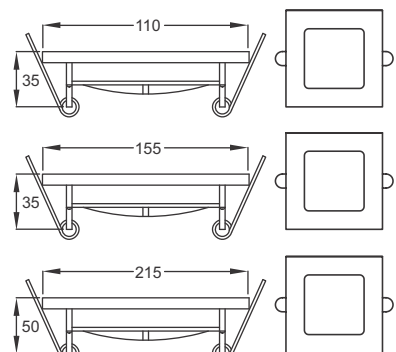
Specifications

Order Code	CR-50011	CR-50012	CR-50013
Model	CR-RR4-SPL		
Power	6W	12W	15W
LED Description	30 Pcs	60 Pcs	30 Pcs
LED	SMD		
LED Source			
Luminous Flux	110~120 LM/W-(WW)	120~130 LM/W-(CW)	94 LM/W (WW) 112 LM/W (CW)
Lumen Maintenance	L80		
Color Temperature Available (+ 200K)	2700~3300K	5500~6500K	
Beam Angle	150°		
Input Voltage	90~265VAC, 50/60 Hz		
CRI	Ra≥80		
Working Temperature	-20°C ~ +40°C		
Humidity	10%~90%		
Power Factor	≥0.9		
LED Driver	Isolated (THD ≤20%)		
Material	Die Cast Aluminium		
Size (mm)	Ø100xH30	Ø155xH30	Ø215xH50
Weight (approx)	250 gm	550 gm	680 gm
Life	@Tj = 85 °C	50,000 hrs	



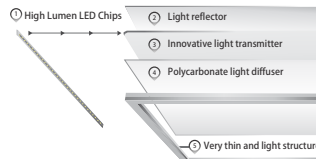
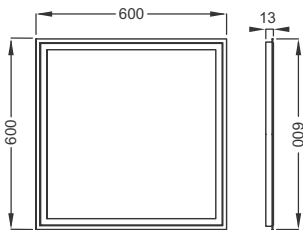
Specifications

Order Code	CR-50014	CR-50015	CR-50016
Model	CR-SS2-SPL		
Power	6W	12W	15W
LED Description	30 Pcs	60 Pcs	30 Pcs
LED	SMD		
LED Source			
Luminous Flux	110~120 LM/W-(WW)	120~130 LM/W-(CW)	94 LM/W (WW) 112 LM/W (CW)
Lumen Maintenance	L80		
Color Temperature Available (+ 200K)	2700~3300K	5500~6500K	
Beam Angle	150°		
Input Voltage	90~265VAC, 50/60 Hz		
CRI	Ra≥80		
Working Temperature	-20°C ~ +40°C		
Humidity	10%~90%		
Power Factor	≥0.9		
LED Driver	Isolated (THD ≤20%)		
Material	Die Cast Aluminium		
Size (mm)	L110xW110xH35	L115xW115xH35	L215xW215xH50
Weight (approx)	250 gm	500 gm	710 gm
Life	@Tj = 85 °C	50,000 hrs	





External isolated driver

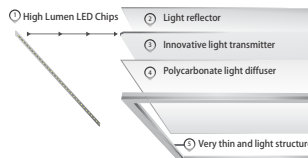
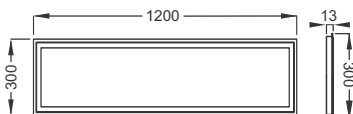


Specifications

Order Code	CR-50017	CR-50018
Model	CR-6060-SPL	
Power	40W	48W
LED Description	4 SIDED PCB (192 Pcs)	4 SIDED PCB (264 Pcs)
LED Source	EDISON	
Luminous Flux	110~120 LM/W - (WW)	120~130LM/W - (CW)
Lumen Maintenance	L80	
Color Temperature Available (± 200K)	2700~3300K	5500~6500K
Beam Angle	150°	
Input Voltage	90~265VAC, 50/60 Hz	
CRI	Ra≥80	
Working Temperature	-20°C ~ +40°C	
Humidity	10%~90%	
Power Factor	≥0.95	
LED Driver	Isolated (THD ≤15%)	
Material	Aluminum + PMMA (SLIM PANEL)	
Size (mm)	L600xW600xH13	
Weight (approx)	4.9 kg	5.3 kg
Life	@Tj = 85 °C 50,000 hrs	

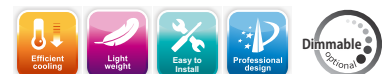


External isolated driver



Specifications

Order Code	CR-50019	CR-50020
Model	CR-30120-SPL	
Power	40W	48W
LED Description	2 SIDED PCB (192 Pcs)	2 SIDED PCB (264 Pcs)
LED Source	EDISON	
Luminous Flux	110~120 LM/W - (WW)	120~130LM/W - (CW)
Lumen Maintenance	L80	
Color Temperature Available (± 200K)	2700~3300K	5500~6500K
Beam Angle	150°	
Input Voltage	90~265VAC, 50/60 Hz	
CRI	Ra≥80	
Working Temperature	-20°C ~ +40°C	
Humidity	10%~90%	
Power Factor	≥0.95	
LED Driver	Isolated (THD ≤15%)	
Material	Aluminum + PMMA (SLIM PANEL)	
Size (mm)	L1200xW300xH13	
Weight (approx)	5.2 kg	5.5 kg
Life	@Tj = 85 °C 50,000 hrs	

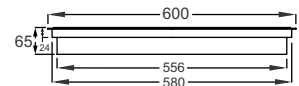
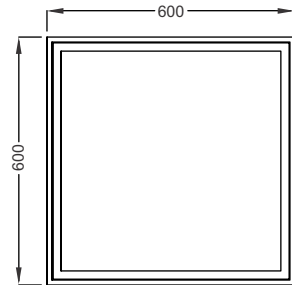
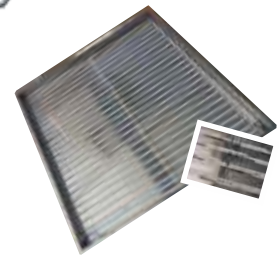


Specifications

Order Code	CR-50021	CR-50022
Model	CR-6060-PL	
Power	40W	48W
LED Description	Back Lit Panel (700 Pcs)	Back Lit Panel (850 Pcs)
LED Source	EDISON	
Luminous Flux	116 LM/W - (WW)	142 LM/W - (CW)
Color Temperature Available (+ 200K)	2700~3300K	5500~6500K
Optional LED Source Available EPISTAR	90 LM/W - (WW)	100 LM/W - (CW)
Lumen Maintenance	L80	
Beam Angle	150°	
Input Voltage	90~265VAC, 50/60 Hz	
CRI	Ra≥80	
Working Temperature	-20°C ~ +40°C	
Humidity	10%~90%	
Power Factor	≥0.9	
LED Driver	Isolated (THD ≤17%)	
Material	Aluminum + PMMA	
Size (mm)	L600xW600xH65	
Weight (approx)	5.3 kg	6 kg
Life	@Tj = 85 °C 50,000 hrs	



External isolated driver



Specifications

Order Code	CR-50023	CR-50024
Model	CR-30120-PL	
Power	40W	48W
LED Description	Back Lit Panel (700 Pcs)	Back Lit Panel (850 Pcs)
LED Source	EDISON	
Luminous Flux	116 LM/W - (WW)	142LM/W - (CW)
Color Temperature Available (+ 200K)	2700~3300K	5500~6500K
Optional LED Source Available EPISTAR	90 LM/W - (WW)	100 LM/W - (CW)
Lumen Maintenance	L80	
Beam Angle	150°	
Input Voltage	90~265VAC, 50/60 Hz	
CRI	Ra≥80	
Working Temperature	-20°C ~ +40°C	
Humidity	10%~90%	
Power Factor	≥0.9	
LED Driver	Isolated (THD ≤17%)	
Material	Aluminum + PMMA	
Size (mm)	L1200xW300xH65	
Weight (approx)	5.3 kg	
Life	@Tj = 85 °C 50,000 hrs	



External isolated driver

